

U12 airless road marking machine with airless equipment



Item number:
CMC-U12-AR-500-EU

Length:
369 cm

Width:
140 cm

Height:
216 cm

Created on 02.01.2025



Description

Self-propelled ride-on road marking machine for work where a very large paint capacity, high marking performance and stability must be guaranteed with a compact 4-wheel ride-on machine.

Diesel engine

- Power 50 HP
- Stage V
- Lights, indicators and all-round flashing light

Hydraulic drive with:

- 2 motors directly coupled to rear wheels, drum brakes,
- Stick control forward, reverse and neutral -Variable flow pump

Paint tank

- 400 liters

Pressure tank for reflective glass beads

- 200 liter capacity (max. 0.5 bar)

Description

Seat position

- adjustable, center, left, right

Sun canopy

Compressor with 827 l/min

Paint and bead guns:

2 automatic paint and glass bead guns

WITHOUT CONTROLLER - PLEASE NOTE THE RMCD OFFER!

Spare parts



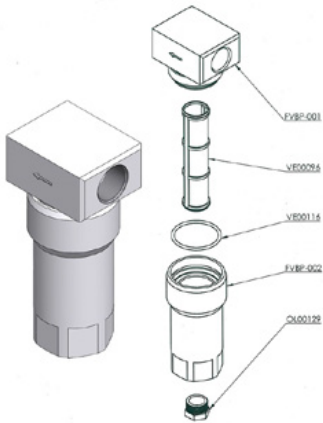
Airless Spray Tip for Stenceling 219

Item number: CMC-200-219



Airless Spray Tip for Line Marking 319

Item number: CMC-202-319



Low pressure color filter FVBP

Item number: CMC-FVBP

Low-pressure color filter made of aluminum suitable for CMC marking machines.



Pneumatic cylinder for marking unit

Item number: CMC-GD05

suitable for CMC marking machine

Spare parts

Kein Bild verfügbar!

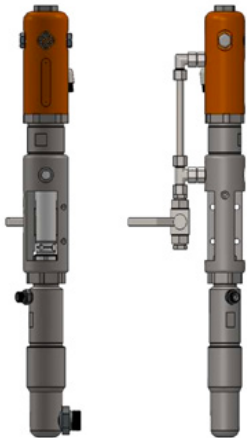
Bitte beachten Sie die Dokumente unter Downloads / Pdf Docs

No picture available!

Please have a look for the documents you will find under Downloads / Pdf Docs

Set inner part foot pedal - without housing

Item number: CMC-KIT00014



CMC P20 Airless Pump

Item number: CMC-P20

Suitable for CMC airless pump P20.



Foot pedal for triggering automatic pistols

Item number: CMC-PEDEL



Pressure regulator 1/4 inch for color or pressure system

Item number: CMC-PN00064

For switching from the backwash function to the marking function.

Spare parts



High pressure color filter 60 Mesh

Item number: CMC-VE00062

suitable for CMC marking machine

Length: 145 mm

diameter 25 mm



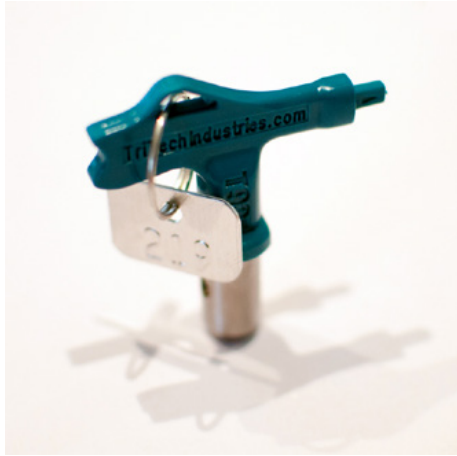
High pressure paint filter 30 mesh

Item number: CMC-VE00110

suitable for CMC marking machine

Length: 145 mm

Diameter: 25 mm



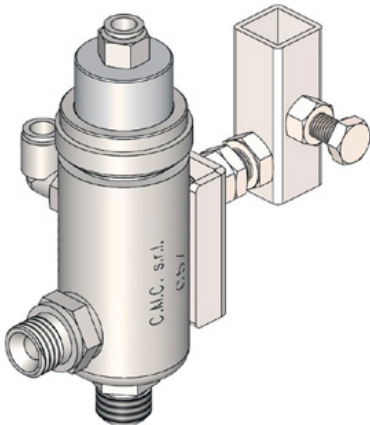
Airless Spray Tip for Stenceling 219

Item number: CMC-200-219



Airless Spray Tip for Line Marking 319

Item number: CMC-202-319

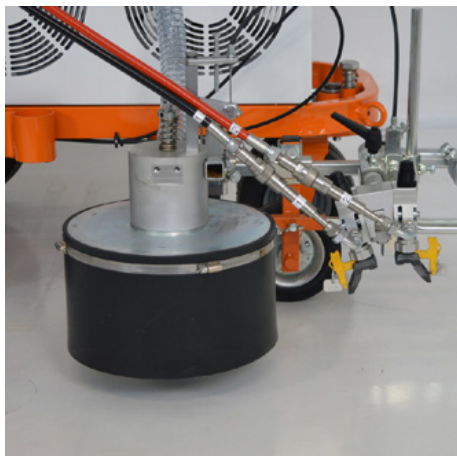


Automatic airless gun - Model C57

Item number: CMC-C57

C57 automatic airless gun

The gun opens and closes by means of pneumatic control.



Glass beads system with conical glass beads spreader

Item number: CMC-DISPERLAR30-CON

Gravity glass bead scattering system with special outlet system.

This prevents the reflex glass beads from blowing away due to the apron and thus reduces the amount of material used.

Accessories/Extensions



Electronic spacing device C8000

Item number: CMC-EL00032

C8000 Line Gap Automatic:

CMC line gap machine for CMC marking machines.

See also the products of RMCD - Road Marking Control Device.



Electronic spacing device with pump stroke measurement C9000

Item number: CMC-EL00039

C9000 - Line Gap Machine

CMC line gap automat with pump stroke measurement for CMC marking machines.

See also the products of RMCD - Road Marking Control Device.



RMCD standard

Item number: RMCD-STD

With the RMCD-Road Marking Control Device STANDARD, we have developed a completely new system for operating road marking machines with greater convenience, based on the RMCD-CAN bus system. The variably configurable system offers a wide range of applications.



Traffic cone 320 mm

Item number: TEM-12303-320 ZR

PVC, 320 mm, 0,64 kg
retroreflective foil
class RA 2