

AR 300 SN Central-steering Ride-on Airless Road marking machine

RMCD

Item number:
CMC-L 300 SN

Length:
345 cm

Width:
110 cm

Height:
210 cm

Weight:
1300 kg

Created on 01.01.2025



Description

Self-propelled ride-on airspray road marking machine with hydraulic drive. For road markings in urban areas or on country roads with tight bends.

Diesel engine

- Power 44 HP
- Water-cooled
- Alternator for charging the battery

Working light, blinker and rotating light

Warning guidance system with arrows to guide traffic left/right. 2 flashing lights

Hydraulic drive with:

- 2 motors directly coupled to the rear wheels
- Hydraulic brakes
- Joystick: steers forwards, backwards and neutral
- variable flow pump

Description

Line/gap automat:

- C9000 with pump stroke measurement or

RMCD - Road Marking Control Device

Probably the easiest to operate system for road marking!
With high-resolution color display and the unique RMCD-Drive!

See our YouTube videos and the link to the RMCD website.

2 parking brakes:

- on the front wheels

Articulated steering:

- servo-assisted by ZF
- to mark tight bends

Steering diameter:

- 6,50 m

Telescopic visor

- for easy re-marking of existing lines

Engine cut-off:

- when the driver stands up without applying the handbrake
- Adjustable to the weight of the driver

Steering wheel:

- With adjustable resistance

Seat:

- With adjustable position (left / right, forwards / backwards)

paint container:

- capacity 300 l
- made of stainless steel
- with hydraulic mixer

Solvent tank:

- for rinsing the gun and paint hose

Pressure tank for glass beads:

- Capacity 100 l
- with pressure regulation
- Moisture separator

Compressor:

- Flow rate 827l / min

Automatic paint gun:

- with line limiter, mounted on fixed support with gun, height-adjustable.
- Fixed support can be replaced by pneumatic suspension or by marking disks. (See optional).
- Standard nozzle for 10 - 20 cm line

Description

Automatic glass bead gun:

- Diffuser with adjustable tilt and opening angles.
- Delay regulator for glass gun

MAX. LINE WIDTH: 90 cm

(Only possible with corresponding accessories)

Electronic line-gap automat:

- C8000

Spare parts

Kein Bild verfügbar!

Bitte beachten Sie die Dokumente unter Downloads / Pdf Docs

No picture available!

Please have a look for the documents you will find under Downloads / Pdf Docs

Filter for hydraulic oil 1" 1/4 10 Mic Spin

Item number: CMC-03244



Airless nozzle for surface markings 219

Item number: CMC-662-219

TITAN airless nozzle for marking surfaces, symbols, etc.

Spray angle: 20 degrees

Bore: 0.019 inch



Airless nozzle for surface marking 421

Item number: CMC-662-421

TITAN airless nozzle for marking surfaces, symbols, etc.

Spray angle: 40 degrees

Bore: 0.021 inch



Airless nozzle for surface marking 423

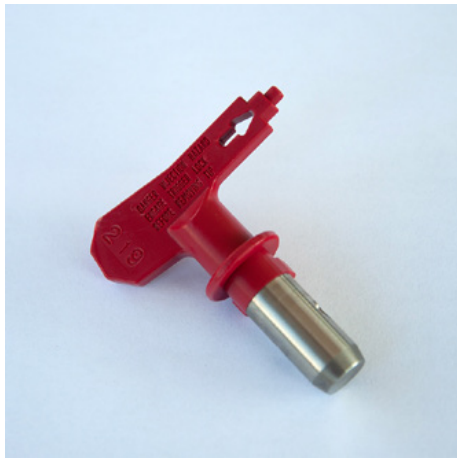
Item number: CMC-662-423

TITAN airless nozzle for marking surfaces, symbols, etc.

Spray angle: 40 degrees

Bore: 0.023 inch

Spare parts



Airless nozzle for surface markings 519

Item number: CMC-662-519

TITAN airless nozzle for marking surfaces, symbols, etc.

Spray angle: 50 degrees

Bore: 0.019 inch



Airless nozzle for surface marking 521

Item number: CMC-662-521

TITAN airless nozzle for marking surfaces, symbols, etc.

Spray angle: 50 degrees

Bore: 0.021 inch



Airless nozzle for line markings 215

Item number: CMC-697-215

TITAN airless nozzle for marking sharp lines.

Spray angle: 20 degrees

Bore: 0.015 inch



Airless nozzle for line marking 217

Item number: CMC-697-217

TITAN airless nozzle for marking sharp lines.

Spray angle: 20 degrees

Bore: 0.017 inch

Spare parts



Airless nozzle for line markings 419

Item number: CMC-697-419

TITAN airless nozzle for marking sharp lines.

Spray angle: 40 degrees

Bore: 0.019 inch



Airless nozzle for line markings 421

Item number: CMC-697-421

Titanium airless nozzle for marking sharp lines.

Spray angle: 40 degrees

Bore: 0.021 inch



Airless nozzle for line markings 423

Item number: CMC-697-423

TITAN airless nozzle for marking sharp lines.

Spray angle: 40 degrees

Bore: 0.023 inch



Airless nozzle for line markings 621

Item number: CMC-697-621

TITAN airless nozzle for marking sharp lines.

Spray angle: 60 degrees

Bore: 0.021 inch

Spare parts



Airless nozzle for line markings 627

Item number: CMC-697-627

TITAN airless nozzle for marking sharp lines.

Spray angle: 60 degrees

Bore: 0.027 inch



Airless nozzle for line marking 631

Item number: CMC-697-631

TITAN airless nozzle for marking sharp lines.

Spray angle: 60 degrees

Bore: 0.031 inch



Bottle of 250 ml of lubricating oil

Item number: CMC-BIO46

Fluido Bio 46

Suitable for CMC piston pumps.

The special oil prevents premature wear on the pump.

Kein Bild verfügbar!

Bitte beachten Sie die
Dokumente unter
Downloads / Pdf Docs

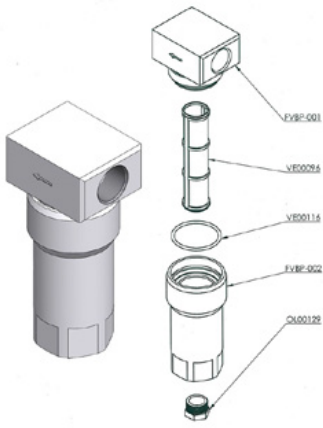
No picture available!

Please have a look for the
documents you will find under
Downloads / Pdf Docs

Filter cartridge for compressor B50/ 60

Item number: CMC-CR00003

Spare parts



Low pressure color filter FVBP

Item number: CMC-FVBP

Low-pressure color filter made of aluminum suitable for CMC marking machines.

Kein Bild verfügbar!

Bitte beachten Sie die Dokumente unter Downloads / Pdf Docs

No picture available!

Please have a look for the documents you will find under Downloads / Pdf Docs

Set inner part foot pedal - without housing

Item number: CMC-KIT00014

Kein Bild verfügbar!

Bitte beachten Sie die Dokumente unter Downloads / Pdf Docs

No picture available!

Please have a look for the documents you will find under Downloads / Pdf Docs

KU Oil filter cartridge Kubota V1505T

Item number: CMC-MT00175

suitable for Kubota V1505T

Kein Bild verfügbar!

Bitte beachten Sie die Dokumente unter Downloads / Pdf Docs

No picture available!

Please have a look for the documents you will find under Downloads / Pdf Docs

KU Fuel filter Kubota V1505T

Item number: CMC-MT00176

suitable for Kubota V1505T

Spare parts

Kein Bild verfügbar!

Bitte beachten Sie die Dokumente unter Downloads / Pdf Docs

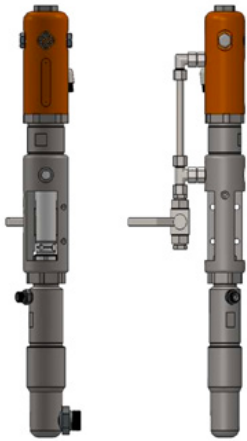
No picture available!

Please have a look for the documents you will find under Downloads / Pdf Docs

KU Air filter Kubota V1505T

Item number: CMC-MT00177

suitable for Kubota V1505T



CMC P20 Airless Pump

Item number: CMC-P20

Suitable for CMC airless pump P20.



Foot pedal for triggering automatic pistols

Item number: CMC-PEDEL

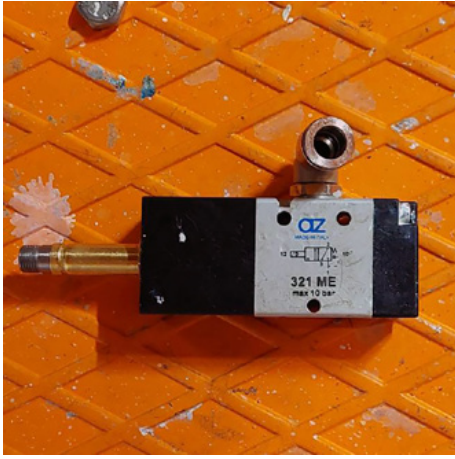


Pressure regulator 1/4 inch for color or pressure system

Item number: CMC-PN00064

For switching from the backwash function to the marking function.

Spare parts



Electrovalve 12 Volt - 321 me

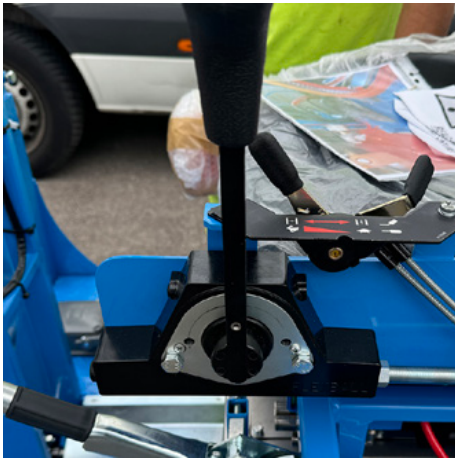
Item number: CMC-PN00066



Pickup wheel for encoder

Item number: CMC-SU00031

For switching from the backwash function to the marking function.



Drive control lever

Item number: CMC-SU00165

suitable for CMC marking machine



High pressure color filter 60 Mesh

Item number: CMC-VE00062

suitable for CMC marking machine

Length: 145 mm
diameter 25 mm

Spare parts



High pressure paint filter 30 mesh

Item number: CMC-VE00110

suitable for CMC marking machine

Length: 145 mm

Diameter: 25 mm

Accessories/Extensions



Airless nozzle for surface markings 219

Item number: CMC-662-219

TITAN airless nozzle for marking surfaces, symbols, etc.

Spray angle: 20 degrees

Bore: 0.019 inch



Airless nozzle for surface marking 421

Item number: CMC-662-421

TITAN airless nozzle for marking surfaces, symbols, etc.

Spray angle: 40 degrees

Bore: 0.021 inch



Airless nozzle for surface marking 423

Item number: CMC-662-423

TITAN airless nozzle for marking surfaces, symbols, etc.

Spray angle: 40 degrees

Bore: 0.023 inch



Airless nozzle for surface markings 519

Item number: CMC-662-519

TITAN airless nozzle for marking surfaces, symbols, etc.

Spray angle: 50 degrees

Bore: 0.019 inch

Accessories/Extensions



Airless nozzle for surface marking 521

Item number: CMC-662-521

TITAN airless nozzle for marking surfaces, symbols, etc.

Spray angle: 50 degrees

Bore: 0.021 inch



Airless nozzle for line markings 215

Item number: CMC-697-215

TITAN airless nozzle for marking sharp lines.

Spray angle: 20 degrees

Bore: 0.015 inch



Airless nozzle for line marking 217

Item number: CMC-697-217

TITAN airless nozzle for marking sharp lines.

Spray angle: 20 degrees

Bore: 0.017 inch



Airless nozzle for line markings 419

Item number: CMC-697-419

TITAN airless nozzle for marking sharp lines.

Spray angle: 40 degrees

Bore: 0.019 inch

Accessories/Extensions



Airless nozzle for line markings 421

Item number: CMC-697-421

Titanium airless nozzle for marking sharp lines.

Spray angle: 40 degrees

Bore: 0.021 inch



Airless nozzle for line markings 423

Item number: CMC-697-423

TITAN airless nozzle for marking sharp lines.

Spray angle: 40 degrees

Bore: 0.023 inch



Airless nozzle for line markings 621

Item number: CMC-697-621

TITAN airless nozzle for marking sharp lines.

Spray angle: 60 degrees

Bore: 0.021 inch



Airless nozzle for line markings 627

Item number: CMC-697-627

TITAN airless nozzle for marking sharp lines.

Spray angle: 60 degrees

Bore: 0.027 inch



Airless nozzle for line marking 631

Item number: CMC-697-631

TITAN airless nozzle for marking sharp lines.

Spray angle: 60 degrees

Bore: 0.031 inch



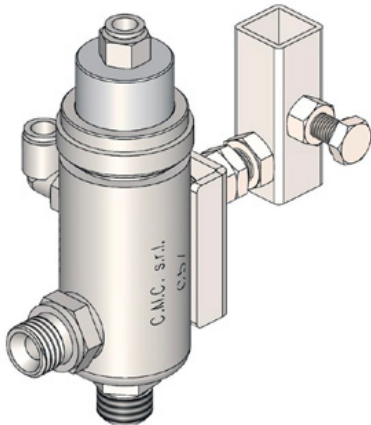
Bottle of 250 ml of lubricating oil

Item number: CMC-BIO46

Fluido Bio 46

Suitable for CMC piston pumps.

The special oil prevents premature wear on the pump.

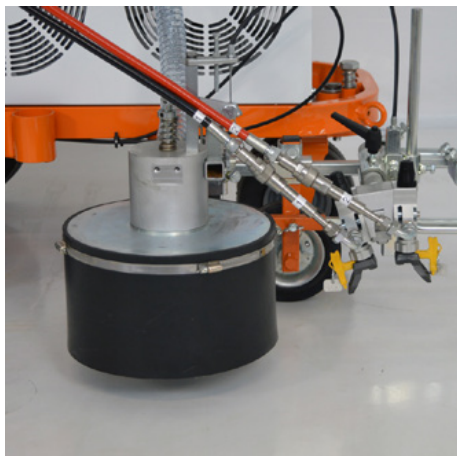


Automatic airless gun - Model C57

Item number: CMC-C57

C57 automatic airless gun

The gun opens and closes by means of pneumatic control.



Glass beads system with conical glass beads spreader

Item number: CMC-DISPERLAR30-CON

Gravity glass bead scattering system with special outlet system.

This prevents the reflex glass beads from blowing away due to the apron and thus reduces the amount of material used.



Electronic spacing device C8000

Item number: CMC-EL00032

C8000 Line Gap Automatic:

CMC line gap machine for CMC marking machines.

See also the products of RMCD - Road Marking Control Device.



Electronic spacing device with pump stroke measurement C9000

Item number: CMC-EL00039

C9000 - Line Gap Machine

CMC line gap automat with pump stroke measurement for CMC marking machines.

See also the products of RMCD - Road Marking Control Device.



RMCD standard

Item number: RMCD-STD

With the RMCD-Road Marking Control Device STANDARD, we have developed a completely new system for operating road marking machines with greater convenience, based on the RMCD-CAN bus system. The variably configurable system offers a wide range of applications.
