

CMC AR 180 - Road marking machine with different configuration possibilities

RMCD

Item number:
CMC-AR180

Length:
220 cm

Width:
90 cm

Height:
185 cm

Weight:
825 kg

Created on 01.01.2025



Description

Self-propelled ride-on airless machine for work where a large paint capacity, high marking performance and stability must be guaranteed with a compact 4-wheel ride-on machine. The self-propelled ride-on marking machine with hydraulic drive can be individually configured.

Petrol engine:

- Power 27 HP
- External generator for charging the battery
- Centrifugal disk

Light, blinker and rotating beacon

Hydraulic drive with:

- 2 motors directly coupled to the rear wheels
- Joystick: forward, reverse and neutral gear control
- Pump with variable flow rate

Hydraulic oil cooler

Description

Line/gap automat:

- C9000 with pump stroke measurement or

RMCD - Road Marking Control Device

Probably the easiest to operate system for road marking!
With high-resolution color display and the unique RMCD-Drive!

See our YouTube videos and the link to the RMCD website.

2 parking brakes:

on the front wheels

Steering:

on the front wheels

Steering radius:

6,7 m

Telescopic visor

for simple pre-marking or precise re-marking of existing lines.

Automatic engine shutdown

when the driver stands up without applying the handbrake.

Seat

with adjustable position (left / right, forwards / backwards)

Sun canopy

Paint container:

- Capacity 150 l
- made of stainless steel
- with manual agitator

Solvent container:

for rinsing the guns and paint hoses

Pressure tank for glass beads;

- Capacity 35 l
- With pressure regulator and moisture separator

Airless hydraulic piston pump:

- Max. Vol. flow rate 8.9 l / min

Two-cylinder compressor:

- Flow rate 515 l / min
- with pressure relief valve

Automatic gun:

mounted on fixed L-beam (with adjustable height). Standard nozzle for 10-20 cm line. Line width can be adjusted from 10 cm to 30 cm by changing the nozzle and/or adjusting the gun height.

High pressure color filter

Description

Automatic glass bead gun:

Diffuser with adjustable inclination and opening angles. Closing delay regulator for bead gun

MAX. LINE WIDTH:

90 cm (only possible with suitable accessories)

Electronic line/gap automat C8000 with:

- Possibility to select 8 different presets
- Possibility of recording: Total counter (marked line + unmarked intermediate piece); Total meter of marked line
- soundSpeedAlarm: Sounds when the speed falls below the minimum speed or exceeds the maximum speed. Minimum and maximum speeds can be set. (To ensure a uniform layer thickness of the marking material).
- Allows up to 3 guns to be controlled (if machine is equipped with 3 guns)

Spare parts



Airless Spray Tip for Stenceling 219

Item number: CMC-200-219



Airless Spray Tip for Line Marking 319

Item number: CMC-202-319



Airless nozzle for surface markings 219

Item number: CMC-662-219

TITAN airless nozzle for marking surfaces, symbols, etc.

Spray angle: 20 degrees

Bore: 0.019 inch



Airless nozzle for surface marking 421

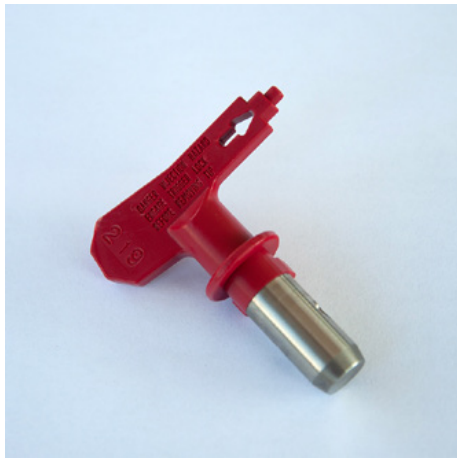
Item number: CMC-662-421

TITAN airless nozzle for marking surfaces, symbols, etc.

Spray angle: 40 degrees

Bore: 0.021 inch

Spare parts



Airless nozzle for surface marking 423

Item number: CMC-662-423

TITAN airless nozzle for marking surfaces, symbols, etc.

Spray angle: 40 degrees

Bore: 0.023 inch



Airless nozzle for surface markings 519

Item number: CMC-662-519

TITAN airless nozzle for marking surfaces, symbols, etc.

Spray angle: 50 degrees

Bore: 0.019 inch



Airless nozzle for surface marking 521

Item number: CMC-662-521

TITAN airless nozzle for marking surfaces, symbols, etc.

Spray angle: 50 degrees

Bore: 0.021 inch



Airless nozzle for line markings 215

Item number: CMC-697-215

TITAN airless nozzle for marking sharp lines.

Spray angle: 20 degrees

Bore: 0.015 inch

Spare parts



Airless nozzle for line marking 217

Item number: CMC-697-217

TITAN airless nozzle for marking sharp lines.

Spray angle: 20 degrees

Bore: 0.017 inch



Airless nozzle for line markings 419

Item number: CMC-697-419

TITAN airless nozzle for marking sharp lines.

Spray angle: 40 degrees

Bore: 0.019 inch



Airless nozzle for line markings 421

Item number: CMC-697-421

Titanium airless nozzle for marking sharp lines.

Spray angle: 40 degrees

Bore: 0.021 inch



Airless nozzle for line markings 423

Item number: CMC-697-423

TITAN airless nozzle for marking sharp lines.

Spray angle: 40 degrees

Bore: 0.023 inch

Spare parts



Airless nozzle for line markings 621

Item number: CMC-697-621

TITAN airless nozzle for marking sharp lines.

Spray angle: 60 degrees

Bore: 0.021 inch



Airless nozzle for line markings 627

Item number: CMC-697-627

TITAN airless nozzle for marking sharp lines.

Spray angle: 60 degrees

Bore: 0.027 inch



Airless nozzle for line marking 631

Item number: CMC-697-631

TITAN airless nozzle for marking sharp lines.

Spray angle: 60 degrees

Bore: 0.031 inch



Bottle of 250 ml of lubricating oil

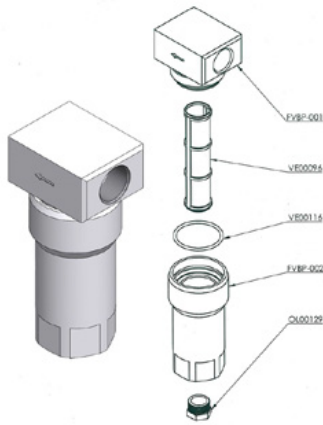
Item number: CMC-BIO46

Fluido Bio 46

Suitable for CMC piston pumps.

The special oil prevents premature wear on the pump.

Spare parts



Low pressure color filter FVBP

Item number: CMC-FVBP

Low-pressure color filter made of aluminum suitable for CMC marking machines.



Pneumatic cylinder for marking unit

Item number: CMC-GD05

suitable for CMC marking machine

Kein Bild verfügbar!

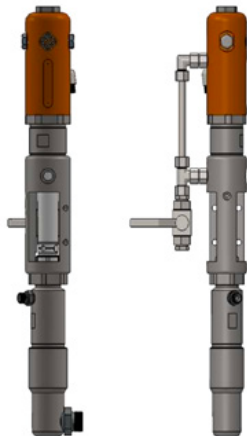
Bitte beachten Sie die Dokumente unter Downloads / Pdf Docs

No picture available!

Please have a look for the documents you will find under Downloads / Pdf Docs

Set inner part foot pedal - without housing

Item number: CMC-KIT00014



CMC P20 Airless Pump

Item number: CMC-P20

Suitable for CMC airless pump P20.

Spare parts



Foot pedal for triggering automatic pistols

Item number: CMC-PEDEL



Pressure regulator 1/4 inch for color or pressure system

Item number: CMC-PN00064

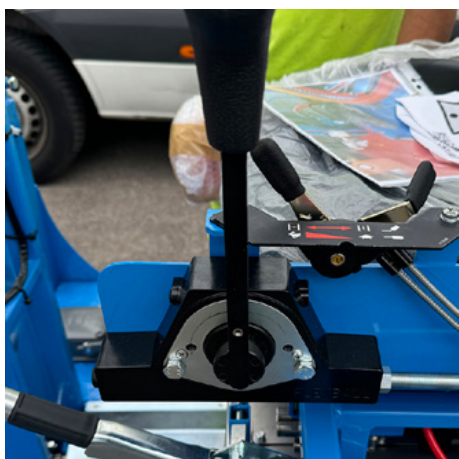
For switching from the backwash function to the marking function.



Pickup wheel for encoder

Item number: CMC-SU00031

For switching from the backwash function to the marking function.



Drive control lever

Item number: CMC-SU00165

suitable for CMC marking machine

Spare parts



High pressure paint hose 1/4" 10 meter

Item number: CMC-TVAPR1/410MT

High-pressure paint hose

Length: 10 meters

Connection: 1/4 inch



High-pressure paint hose 1/4" 15 meters long

Item number: CMC-TVAPR1/415MT

High-pressure paint hose

Length: 15 meters

Connection: 1/4 inch



High pressure hose 3/8 " L=1500 mm

Item number: CMC-TVAPR3/815000



High pressure color filter 60 Mesh

Item number: CMC-VE00062

suitable for CMC marking machine

Length: 145 mm

diameter 25 mm

Spare parts

Kein Bild verfügbar!

Bitte beachten Sie die Dokumente unter Downloads / Pdf Docs

No picture available!

Please have a look for the documents you will find under Downloads / Pdf Docs

Pulsation damper LT. 1

Item number: CMC-VE00069

suitable for CMC P20



High pressure paint filter 30 mesh

Item number: CMC-VE00110

suitable for CMC marking machine

Length: 145 mm

Diameter: 25 mm



Airless Spray Tip for Stenceling 219

Item number: CMC-200-219



Airless Spray Tip for Line Marking 319

Item number: CMC-202-319



Airless nozzle for surface markings 219

Item number: CMC-662-219

TITAN airless nozzle for marking surfaces, symbols, etc.

Spray angle: 20 degrees

Bore: 0.019 inch



Airless nozzle for surface marking 421

Item number: CMC-662-421

TITAN airless nozzle for marking surfaces, symbols, etc.

Spray angle: 40 degrees

Bore: 0.021 inch



Airless nozzle for surface marking 423

Item number: CMC-662-423

TITAN airless nozzle for marking surfaces, symbols, etc.

Spray angle: 40 degrees

Bore: 0.023 inch



Airless nozzle for surface markings 519

Item number: CMC-662-519

TITAN airless nozzle for marking surfaces, symbols, etc.

Spray angle: 50 degrees

Bore: 0.019 inch



Airless nozzle for surface marking 521

Item number: CMC-662-521

TITAN airless nozzle for marking surfaces, symbols, etc.

Spray angle: 50 degrees

Bore: 0.021 inch



Airless nozzle for line markings 215

Item number: CMC-697-215

TITAN airless nozzle for marking sharp lines.

Spray angle: 20 degrees

Bore: 0.015 inch



Airless nozzle for line marking 217

Item number: CMC-697-217

TITAN airless nozzle for marking sharp lines.

Spray angle: 20 degrees

Bore: 0.017 inch



Airless nozzle for line markings 419

Item number: CMC-697-419

TITAN airless nozzle for marking sharp lines.

Spray angle: 40 degrees

Bore: 0.019 inch



Airless nozzle for line markings 421

Item number: CMC-697-421

Titanium airless nozzle for marking sharp lines.

Spray angle: 40 degrees

Bore: 0.021 inch



Airless nozzle for line markings 423

Item number: CMC-697-423

TITAN airless nozzle for marking sharp lines.

Spray angle: 40 degrees

Bore: 0.023 inch

Accessories/Extensions



Airless nozzle for line markings 621

Item number: CMC-697-621

TITAN airless nozzle for marking sharp lines.

Spray angle: 60 degrees

Bore: 0.021 inch



Airless nozzle for line markings 627

Item number: CMC-697-627

TITAN airless nozzle for marking sharp lines.

Spray angle: 60 degrees

Bore: 0.027 inch



Airless nozzle for line marking 631

Item number: CMC-697-631

TITAN airless nozzle for marking sharp lines.

Spray angle: 60 degrees

Bore: 0.031 inch



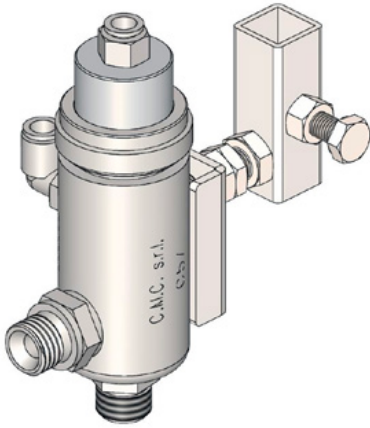
Bottle of 250 ml of lubricating oil

Item number: CMC-BIO46

Fluido Bio 46

Suitable for CMC piston pumps.

The special oil prevents premature wear on the pump.

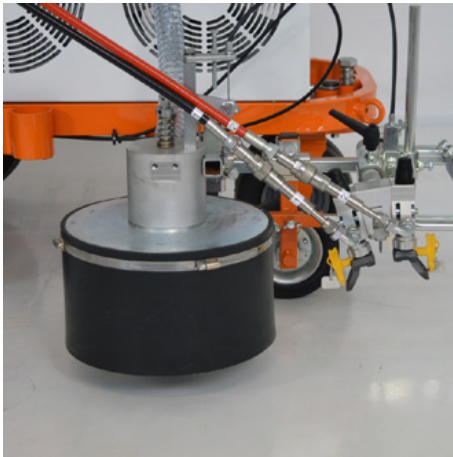


Automatic airless gun - Model C57

Item number: CMC-C57

C57 automatic airless gun

The gun opens and closes by means of pneumatic control.



Glass beads system with conical glass beads spreader

Item number: CMC-DISPERLAR30-CON

Gravity glass bead scattering system with special outlet system.

This prevents the reflex glass beads from blowing away due to the apron and thus reduces the amount of material used.



Electronic spacing device C8000

Item number: CMC-EL00032

C8000 Line Gap Automatic:

CMC line gap machine for CMC marking machines.

See also the products of RMCD - Road Marking Control Device.



Electronic spacing device with pump stroke measurement C9000

Item number: CMC-EL00039

C9000 - Line Gap Machine

CMC line gap automat with pump stroke measurement for CMC marking machines.

See also the products of RMCD - Road Marking Control Device.



Light-Panel 90 x 90 cm with 13 lamps

Item number: CMC-Panel9090_13L



RMCD standard

Item number: RMCD-STD

With the RMCD-Road Marking Control Device STANDARD, we have developed a completely new system for operating road marking machines with greater convenience, based on the RMCD-CAN bus system. The variably configurable system offers a wide range of applications.
